

# Home Care Technical Specification

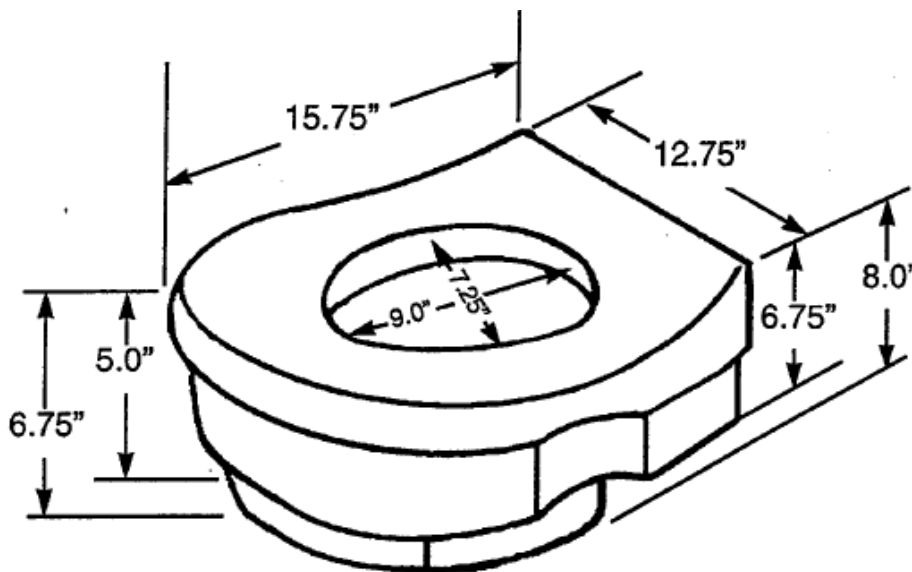
## Safety Toilet Seat

# DN7020

### Stock Numbers:

- **DN7020 – Safety Toilet Seat**  
White Molded Plastic  
Photo Box Packaging with Handle

### Dimensions:



### Materials:

ASSEMBLY TESTED  
TO CONFIRM ADA  
COMPLIANCE



**Safety Toilet Seat** is made from high impact molded white polyethylene.

#### WARNING

TO PREVENT SERIOUS OR FATAL INJURY: Insure product is assembled, installed, adjusted and used properly. FOR USE ONLY BY PERSONS WEIGHING LESS THAN 250 POUNDS. Plastic inner rim of seat must fit inside of porcelain toilet bowl rim. If seat can rock from side to side, do not use. Do not tip seat. Sit on and leave seat from front, not from side. When seated, do not lean to either side of seat without proper balancing. Do not jump or stand on seat. Contact CSI immediately at 1-800-882-0116 if any components are missing or damaged. Do not modify or substitute any components. FOR QUESTIONS OR ASSISTANCE WITH ASSEMBLY OR INSTALLATION CONTACT CSI AT 1-800-882-0116. Consult healthcare professional for advice and instructions specific to user's need before use.

### Installation Instructions:

1. Raise toilet seat and lid.
2. Place elevated toilet seat directly on rim of toilet bowl.

**Stock Number:** \_\_\_\_\_ **Safety Toilet Seat**  
By Creative Specialties



25300 AL MOEN DRIVE • NORTH OLMSTED, OH 44070 (800) 321-8809 •  
FAX: (800) 848-6636 • INTERNATIONAL: (440) 962-2000 •  
FAX: (440) 962-2726 CUSTOMER SERVICE (USA): 800-882-0116  
WWW.MOEN.COM  
©Copyright Creative Specialties International Literature #BA1689